

Solar CCTV Tower UNI-T2A



SPECIFICATIONS



1.Specifications

Brand.....UNIV
 Name..... Solar CCTV Tower
 Model..... UNI-T2A
 Material..... Steel Q235
 Powder..... Outdoor + Anti-Corrosion
 Dimension (Transportation)..... 2230 × 1690 × 2100 mm
 Dimension (Traveling)..... 3530 × 1650 × 2890 mm
 Dimension (Operation)..... 3530 × 2400 × 7420 mm
 Weight..... 1000kg / 2205lb
 System Voltage..... DC24V
 Work Temperature..... -20°C~60°C / -4°F~140°F
 Warranty:..... 2 years

CCTV System

Power Supply..... DC12V,24V,48V
 PoE Switch..... Yes
 Strobe lights..... 4 pcs
 450W Inverter..... Optional
 CCTV Camera..... Optional in Page 3

Solar Panels

Solar Panel..... 2 × 490W
 Open Circuit Voltage..... DC41.1V
 Efficiency..... 24.5%
 Series & Parallel..... 2 in parallel
 Angle..... 60°, Electric Lifting

Control System

Solar Controller..... 40A MPPT
 Efficiency..... 95%+
 Protection..... Yes
 Remote..... Yes
 Victron Energy..... Optional

LFP Battery

Battery..... 1 × 314Ah
 Voltage..... DC25.6V
 Capacity..... 8.038.4kW·h
 BMS..... Yes
 Heater..... Yes
 Life..... Cycle 4000 at 95% DOD,25°C
 Running Time..... 72 hours for 100W

Charger system

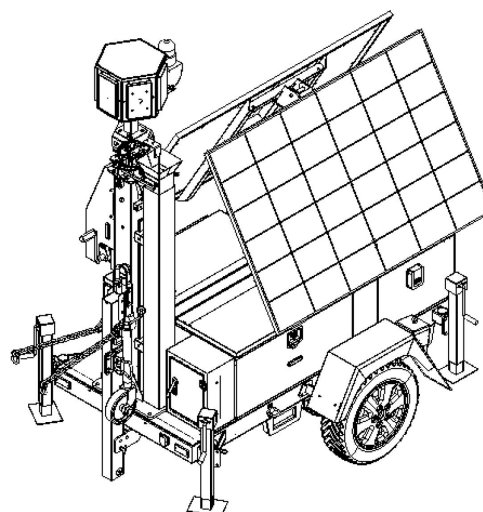
Battery Charger..... 1.5kW
 Charging Current..... 45A
 Efficiency..... 89%
 Socket..... 1 × 16A,AC120V

Telescopic Mast

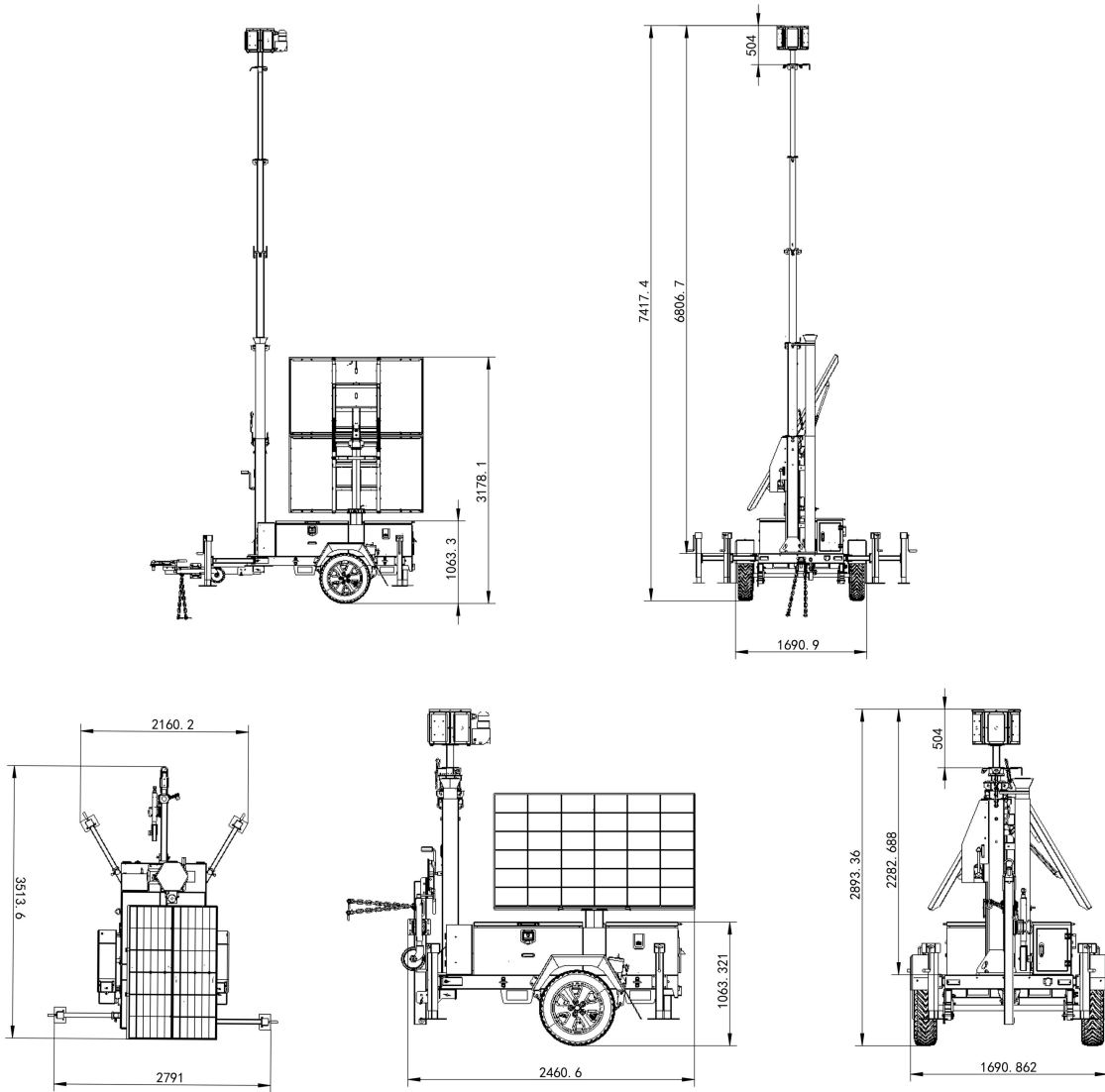
Material..... Steel Q355,Hot Dip Galvanized
 Type..... Square,Telescopic
 Height..... 6.3m / 20.7ft
 Section..... 5
 Wire Rope..... Stainless Steel 304,5mm
 Spiral Cable..... 2 × Cat5e + 14 × Power Supply
 Lifting Method..... Manual Winch
 Recommended Loading..... 5kg ~ 50kg / 11lb ~ 110lb
 Windproof..... 117kph / 72.7mph

Trailer

Trailer Standard..... US / AU / EU
 Trailer Light..... US / AU / EU
 Tow Hitch..... 50mm / 2" Ball Type
 Jockey Wheel..... 200mm / 8"
 Axle..... Single,Suspension,Electric Brake
 Tire..... 14 inch
 Outrigger..... 4 × Manual,Hot Dip Galvanized
 Bubble level..... 4 pcs
 Wheel Chock..... 2 pcs
 Forklift Pocket..... Yes
 Lifting Ring..... 4 pcs



2. Diemensions





3.CCTV system (Optional)

Camera

Hikvision DS-2SE4C425MWG-E/26(F0) 4 MP 25 × IR Network Speed Dome adopts 1/2.8" progressive scan CMOS chip. With the 25 × optical zoom lens, the camera offers more details over expansive areas. This series of cameras can be widely used for wide ranges of high-definition, such as rivers, roads, railways, airports, squares, parks, scenic spots, and venues, etc.



- Captures a large area and great details at the same time
- High quality panoramic imaging with 6 MP resolution and details imaging with 4 MP
- Excellent low-light performance with powered-by-DarkFighter technology and ColorVu technology
- Secures an expansive area with 25× optical zoom and 16×digital zoom
- Expansive night view with up to 100 m IR distance & 30 m white light
- Supports 12V DC & PoE+Focuses on human and vehicle targets classification based on deep learning

NVR (DS-7608NXI-K1)

- Up to 8-ch IP camera inputs
- H.265+/H.265/H.264+/H.264 video formats
- Up to 1-ch@12 MP or 2-ch@8 MP or 4-ch@4 MP or 8-ch@1080p decoding capacity
- Up to 80 Mbps incoming bandwidth
- Adopt Hikvision Acusense technology to minimize manual effort and security costs



4G Router (USR-G806s-G)

- Dimension: 90*84*25mm
- Ethernet Ports: 1*WAN/LAN(Configurable)+1*LAN
- WiFi: IEEE 802.11 b/g/n, 1*RP-SMA-K antenna connector
- Power Supply: 2-pin terminal block & DC socket redundancy
- SIM Card: Mini SIM(2FF)
- Installation: Wall Mounting & DIN Rail Mounting Available



Spearker(T-720AP)

| Model | T-720AP |
|-------------|-------------------|
| Rated Power | 30W |
| Power Input | DC 12V |
| IP Rate | IP55 |
| Dimensions | 282 x 210 x 290mm |
| Weight | 2.1Kg |



Display

| Model | G0816 |
|-----------------------|--------------------|
| Resolution | 1024*768 |
| Aspect ratio | 16:9 |
| Refresh rate | 60-70Hz |
| Dimensions | 218.6 x 148 x 36mm |
| Weight | 2.1Kg |
| Operating temperature | -10-60℃ |

