

Solar CCTV Tower UNI-T2C



SPECIFICATIONS

1.Specifications

Brand	UNIV
Name	Solar CCTV Tower
Model	UNI-T2C
Material	Steel Q235
Powder	Outdoor + Anti-Corrosion
Dimension (Transportation)	1600 × 1800 × 2130 mm
Dimension (Traveling)	2710 × 1800 × 2930 mm
Dimension (Operation)	3834 × 1799 × 7458 mm
Weight	850kg / 1874lb
System Voltage	DC24V
Work Temperature	-20°C~60°C / -4°F~140°F
Warranty	2 years

CCTV system

Power Supply	DC12V,24V,48V
PoE Switch	Yes
Strobe lights	4 pcs
450W Inverter	Optional
CCTV Camera	Optional in Page 3

Solar Panels

Solar Panel	2 × 490W
Open Circuit Voltage	DC41.1V
Efficiency	24.5%
Series & Parallel	2 in parallel
Angle	10°-45°, Manual Lifting

Control System

Solar Controller	40A MPPT
Efficiency	95%+
Protection	Yes
Remote	Yes
Victron Energy	Optional

LFP Battery

Battery	1 × 230Ah
Voltage	DC25.6V
Capacity	5.888kW·h
BMS	Yes
Heater	Yes
Life	Cycle 4000 at 90% DOD,25°C
Running Time	96 hours for 55W

Charger system

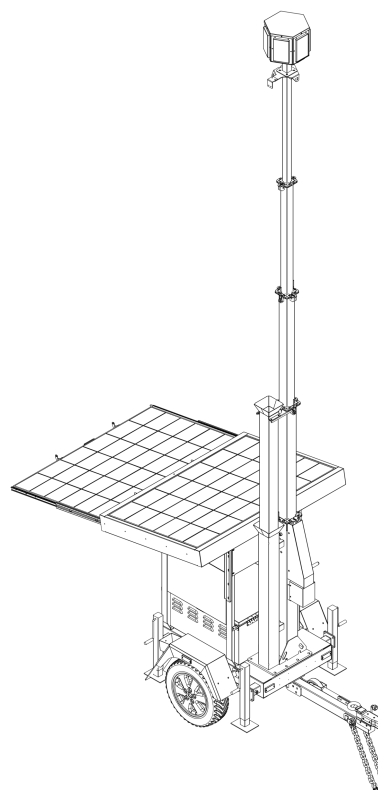
Battery Charger	1.5kW
Charging Current	45A
Efficiency	89%
Socket	1 × 16A,AC120V

Telescopic Mast

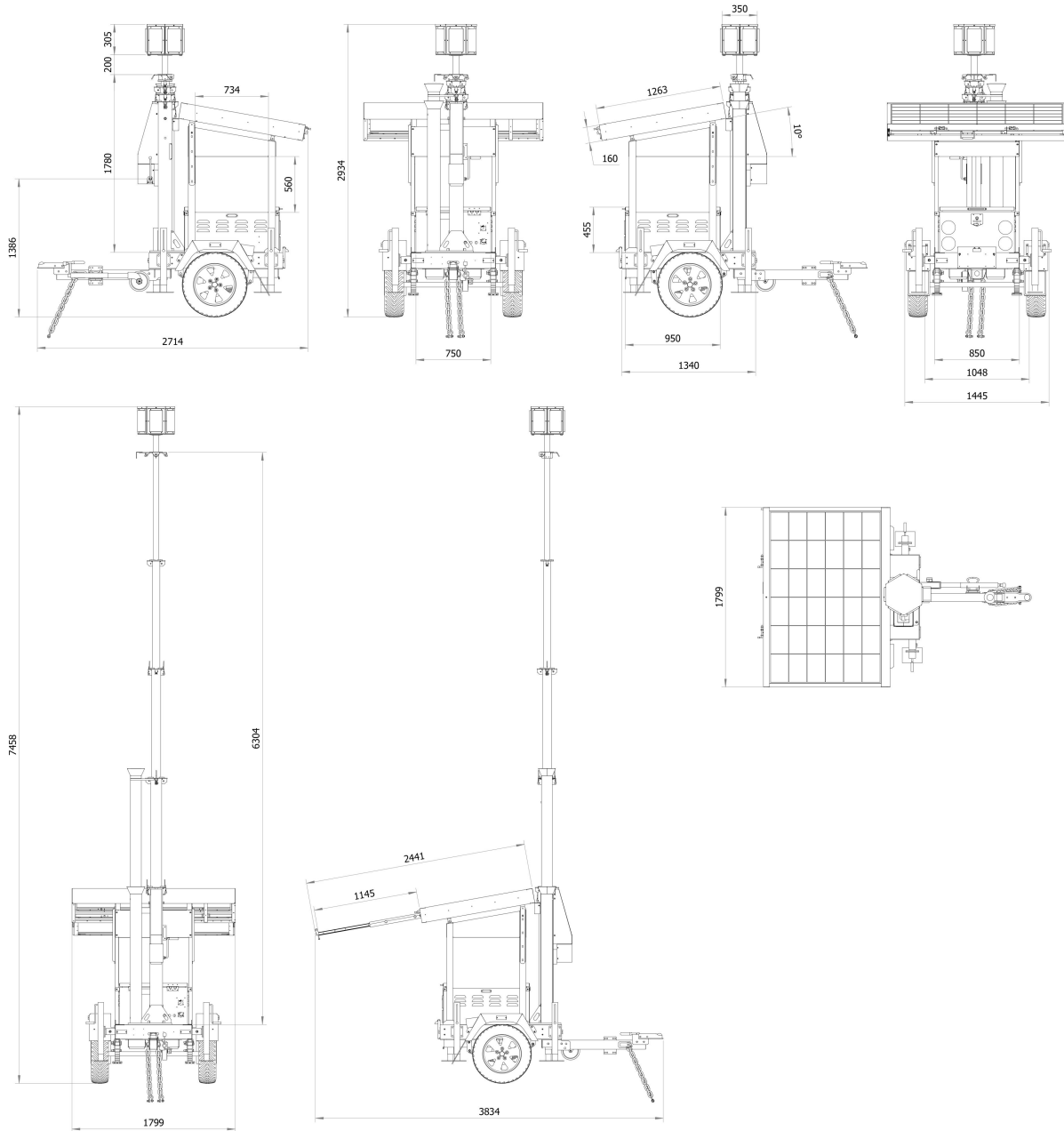
Material	Steel Q355, Hot Dip Galvanized
Type	Square, Telescopic
Height	6.3m / 20.7ft
Section	5
Wire Rope	Stainless Steel 304, 5mm
Spiral Cable	2 × Cat5e + 14 × Power Supply
Lifting Method	Manual Winch
Recommended Loading	5kg ~ 50kg / 11lb ~ 110lb
Windproof	117kph / 72.7mph

Trailer

Trailer Standard	US / AU / EU
Trailer Light	US / AU / EU
Tow Hitch	50mm / 2" Ball Type
Jockey Wheel	200mm / 8"
Axle	Single, Suspension, Electric Brake
Tire	14 inch
Outrigger	4 × Manual, Hot Dip Galvanized
Bubble level	4 pcs
Wheel Chock	2 pcs
Forklift Pocket	Yes
Lifting Ring	4 pcs



2.Diemensions





3.CCTV system (Optional)

Camera

Hikvision DS-2SE4C425MWG-E/26(F0) 4 MP 25 × IR Network Speed Dome adopts 1/2.8" progressive scan CMOS chip. With the 25 × optical zoom lens, the camera offers more details over expansive areas. This series of cameras can be widely used for wide ranges of high-definition, such as rivers, roads, railways, airports, squares, parks, scenic spots, and venues, etc.

- Captures a large area and great details at the same time
- High quality panoramic imaging with 6 MP resolution and details imaging with 4 MP
- Excellent low-light performance with powered-by-DarkFighter technology and ColorVu technology
- Secures an expansive area with 25× optical zoom and 16×digital zoom
- Expansive night view with up to 100 m IR distance & 30 m white light
- Supports 12V DC & PoE+Focuses on human and vehicle targets classification based on deep learning



NVR (DS-7608NXI-K1)

- Up to 8-ch IP camera inputs
- H.265+/H.265/H.264+/H.264 video formats
- Up to 1-ch@12 MP or 2-ch@8 MP or 4-ch@4 MP or 8-ch@1080p decoding capacity
- Up to 80 Mbps incoming bandwidth
- Adopt Hikvision Acusense technology to minimize manual effort and security costs



4G Router (USR-G806s-G)

- Dimension: 90*84*25mm
- Ethernet Ports: 1*WAN/LAN(Configurable)+1*LAN
- WiFi: IEEE 802.11 b/g/n, 1*RP-SMA-K antenna connector
- Power Supply: 2-pin terminal block & DC socket redundancy
- SIM Card: Mini SIM(2FF)
- Installation: Wall Mounting & DIN Rail Mounting Available



Speaker(T-720AP)

Model	T-720AP
Rated Power	30W
Power Input	DC 12V
IP Rate	IP55
Dimensions	282 x 210 x 290mm
Weight	2.1Kg



Display

Model	G0816
Resolution	1024*768
Aspect ratio	16:9
Refresh rate	60-70Hz
Dimensions	218.6 x 148 x 36mm
Weight	2.1Kg
Operating temperature	-10-60℃

