

Solar CCTV Tower UNI-T2A



SPECIFICATIONS



1.Specifications

| | |
|----------------------------|--------------------------|
| Brand | UNIV |
| Name | Solar CCTV Tower |
| Model | UNI-T2A |
| Material | Steel Q235 |
| Powder | Outdoor + Anti-Corrosion |
| Dimension (Transportation) | 2230 × 1690 × 2100 mm |
| Dimension (Traveling) | 3530 × 1650 × 2890 mm |
| Dimension (Operation) | 3530 × 2400 × 7420 mm |
| Weight | 1000kg / 2205lb |
| System Voltage | DC24V |
| Work Temperature | -20°C~60°C / -4°F~140°F |
| Warranty | 2 years |

CCTV System

| | |
|---------------|--------------------|
| Power Supply | DC12V,24V,48V |
| PoE Switch | Yes |
| Strobe lights | 4 pcs |
| 450W Inverter | Optional |
| CCTV Camera | Optional in Page 3 |

Solar Panels

| | |
|----------------------|----------------------|
| Solar Panel | 2 × 490W |
| Open Circuit Voltage | DC41.1V |
| Efficiency | 24.5% |
| Series & Parallel | 2 in parallel |
| Angle | 60°,Electric Lifting |

Control System

| | |
|------------------|----------|
| Solar Controller | 40A MPPT |
| Efficiency | 95%+ |
| Protection | Yes |
| Remote | Yes |
| Victron Energy | Optional |

LFP Battery

| | |
|--------------|----------------------------|
| Battery | 1 × 314Ah |
| Voltage | DC25.6V |
| Capacity | 8.038.4kW·h |
| BMS | Yes |
| Heater | Yes |
| Life | Cycle 4000 at 95% DOD,25°C |
| Running Time | 72 hours for 100W |

Charger system

| | |
|------------------|----------------|
| Battery Charger | 1.5kW |
| Charging Current | 45A |
| Efficiency | 89% |
| Socket | 1 × 16A,AC120V |

Telescopic Mast

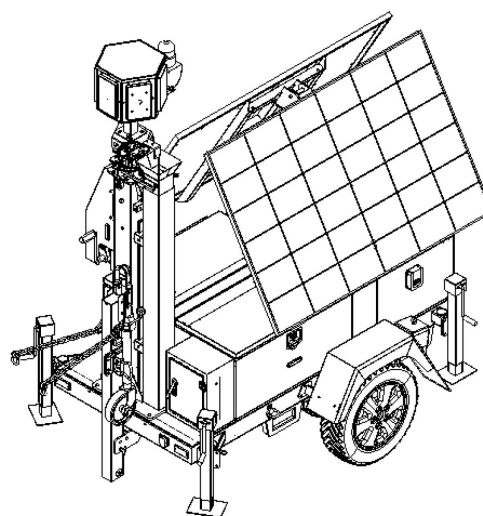
| | |
|---------------------|-------------------------------|
| Material | Steel Q355,Hot Dip Galvanized |
| Type | Square,Telescopic |
| Height | 6.3m / 20.7ft |
| Section | 5 |
| Wire Rope | Stainless Steel 304,5mm |
| Spiral Cable | 2 × Cat5e + 14 × Power Supply |
| Lifting Method | Manual Winch |
| Recommended Loading | 5kg ~ 50kg / 11lb ~ 110lb |
| Windproof | 117kph / 72.7mph |

Trailer

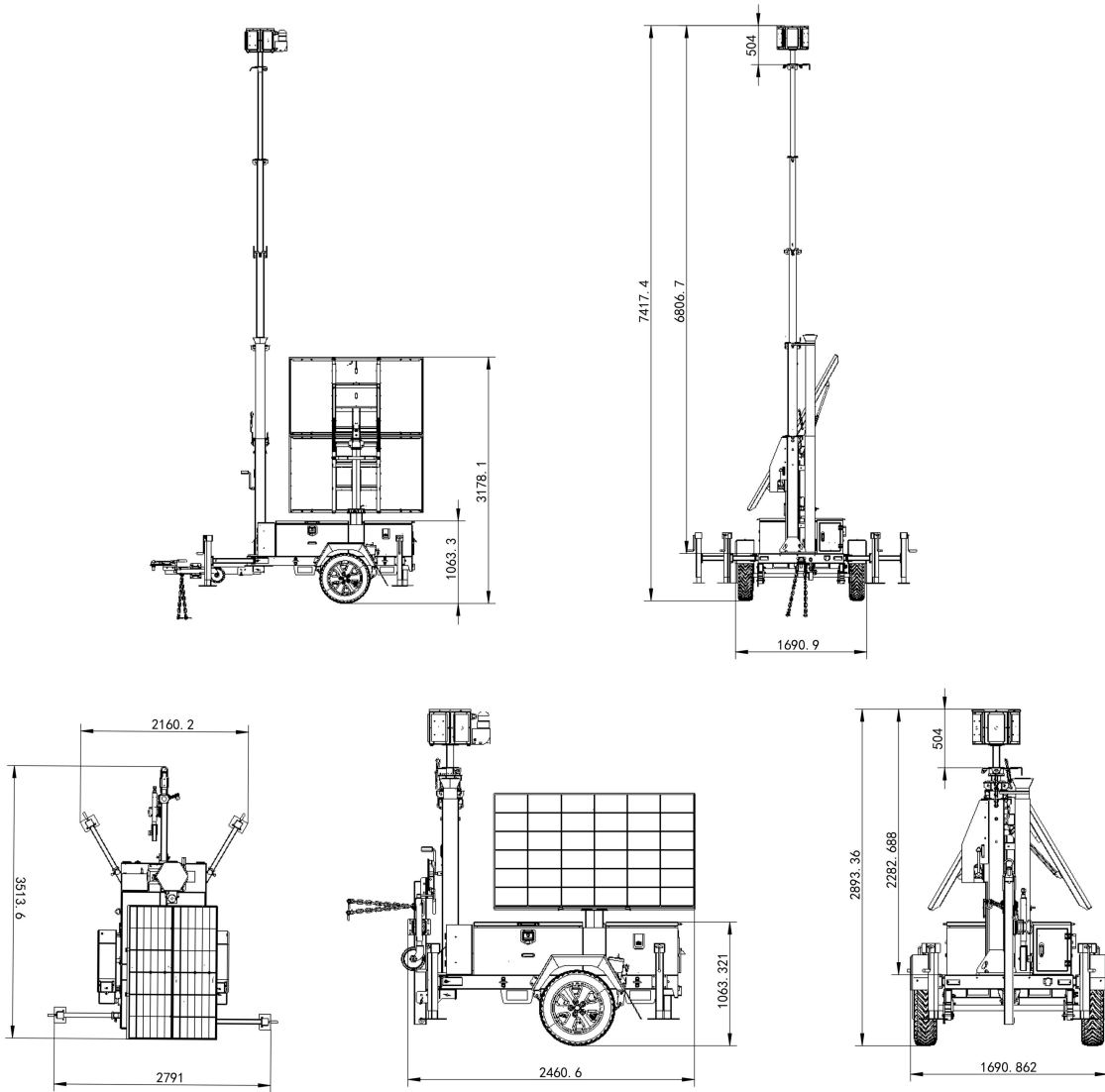
| | |
|------------------|----------------------------------|
| Trailer Standard | US / AU / EU |
| Trailer Light | US / AU / EU |
| Tow Hitch | 50mm / 2" Ball Type |
| Jockey Wheel | 200mm / 8" |
| Axle | Single,Suspension,Electric Brake |
| Tire | 14 inch |
| Outrigger | 4 × Manual,Hot Dip Galvanized |
| Bubble level | 4 pcs |
| Wheel Chock | 2 pcs |
| Forklift Pocket | Yes |
| Lifting Ring | 4 pcs |

Gasoline Genset (Optional)

| | |
|--------------|------------------|
| Rated Power | 2kW |
| Fuel Tank | 50L |
| Consumption | 0.5L/h |
| Noise(db) | 65 |
| Running Time | 100 Days for 75W |



2. Diemensions





3.CCTV system (Optional)

Camera

Hikvision DS-2SE4C425MWG-E/26(F0) 4 MP 25 × IR Network Speed Dome adopts 1/2.8" progressive scan CMOS chip. With the 25 × optical zoom lens, the camera offers more details over expansive areas. This series of cameras can be widely used for wide ranges of high-definition, such as rivers, roads, railways, airports, squares, parks, scenic spots, and venues, etc.



- Captures a large area and great details at the same time
- High quality panoramic imaging with 6 MP resolution and details imaging with 4 MP
- Excellent low-light performance with powered-by-DarkFighter technology and ColorVu technology
- Secures an expansive area with 25× optical zoom and 16×digital zoom
- Expansive night view with up to 100 m IR distance & 30 m white light
- Supports 12V DC & PoE+Focuses on human and vehicle targets classification based on deep learning

NVR (DS-7608NXI-K1)

- Up to 8-ch IP camera inputs
- H.265+/H.265/H.264+/H.264 video formats
- Up to 1-ch@12 MP or 2-ch@8 MP or 4-ch@4 MP or 8-ch@1080p decoding capacity
- Up to 80 Mbps incoming bandwidth
- Adopt Hikvision Acusense technology to minimize manual effort and security costs



4G Router (USR-G806s-G)

- Dimension: 90*84*25mm
- Ethernet Ports: 1*WAN/LAN(Configurable)+1*LAN
- WiFi: IEEE 802.11 b/g/n, 1*RP-SMA-K antenna connector
- Power Supply: 2-pin terminal block & DC socket redundancy
- SIM Card: Mini SIM(2FF)
- Installation: Wall Mounting & DIN Rail Mounting Available



Spearker(T-720AP)

| Model | T-720AP |
|-------------|-------------------|
| Rated Power | 30W |
| Power Input | DC 12V |
| IP Rate | IP55 |
| Dimensions | 282 x 210 x 290mm |
| Weight | 2.1Kg |



Display

| Model | G0816 |
|-----------------------|--------------------|
| Resolution | 1024*768 |
| Aspect ratio | 16:9 |
| Refresh rate | 60-70Hz |
| Dimensions | 218.6 x 148 x 36mm |
| Weight | 2.1Kg |
| Operating temperature | -10-60℃ |

