

Solar CCTV Tower UST-1200S

SPECIFICATIONS



1.Specifications

Brand.....UNIV
 Name..... Solar CCTV Tower
 Model..... UST-1200S
 Material..... Steel Q235
 Powder..... Outdoor Type + Anti Corrosion
 Dimension (Transportation)..... 2150 × 1732 × 2470 mm
 Dimension (Traveling)..... 3432 × 1732 × 3006 mm
 Dimension (Operation)..... 4972 × 3618 × 7530 mm
 Weight..... 1300kg / 2865lb
 System Voltage..... DC48V
 Work Temperature..... -20°C~60°C / -4°F~140°F

CCTV system

Power Supply..... DC12V,24V,48V
 NVR..... 4TB
 4G Router..... Yes
 Speaker..... Yes
 Display..... Yes
 CCTV Camera..... Optional in Page 3

Solar panel

Solar Panel..... 4 × 435W, LONGI
 Open circuit voltage..... DC39.53V
 Max Module Efficiency..... 22.5%
 power degradation..... <1.5%, first year ; 0.4%, 2-25years
 Series & Parallel..... 2 in series first and then in parallel
 Angle adjustment..... 30°-45°, Manual

Control system

Solar Controller..... Victron 70A MPPT
 Efficiency..... 95%+
 Protection..... Yes
 Remote..... Optional

LFP Battery

Battery..... 2 × 300Ah
 Voltage..... DC25.6V
 Capacity..... 15.36kW·h
 BMS..... Yes
 Heater..... Yes
 Life..... Cycle 4000 at 95% DOD, 25°C

Charger system

Battery Charger..... 1.5kW
 Charging Current..... 45A
 Efficiency..... 89%
 Plug..... 1 × 16A AC120V

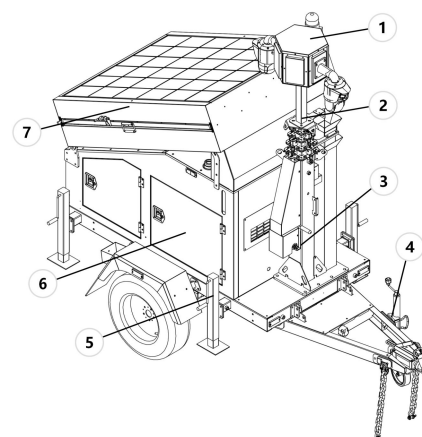
Telescopic Mast

Material..... Steel Q235, Galvanized
 Type..... Square, Telescopic
 Height..... 7m / 22.97ft
 Section..... 5
 Wire Rope..... Stainless Steel 304, 5mm
 Spiral Cable..... Power Supply
 Lifting Method..... Manual Winch
 Recommended Loading..... 5kg ~ 50kg / 11lb ~ 110lb
 Windproof..... 117km/h / 73mph

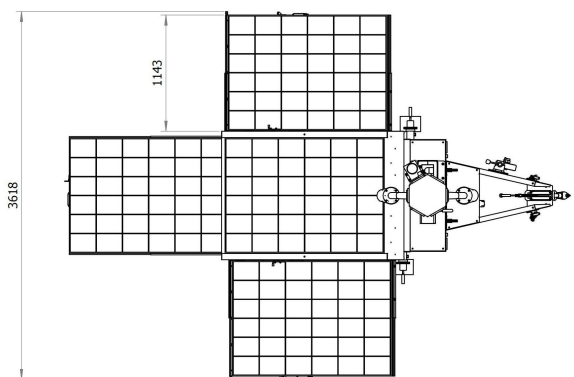
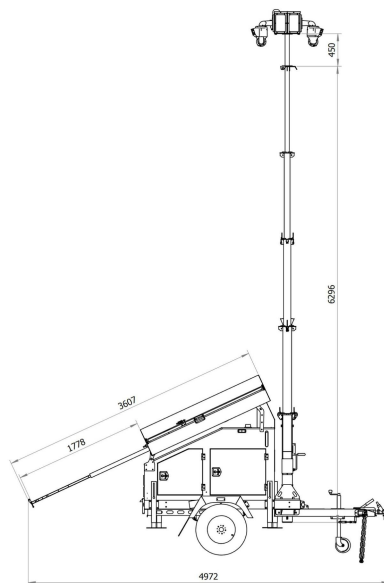
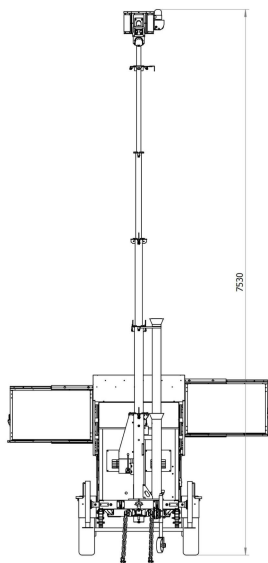
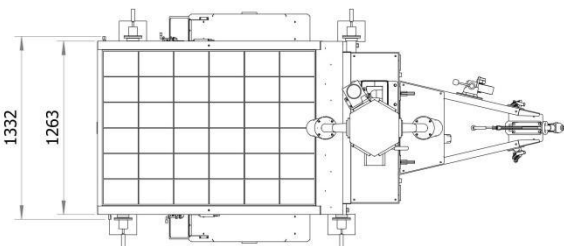
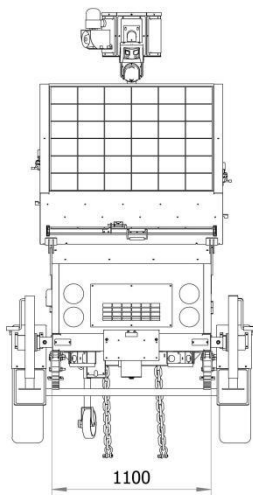
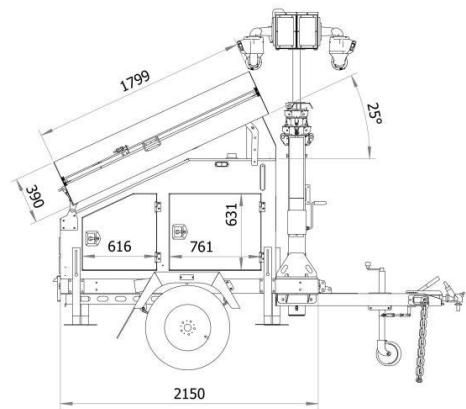
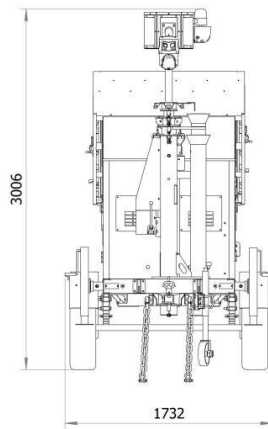
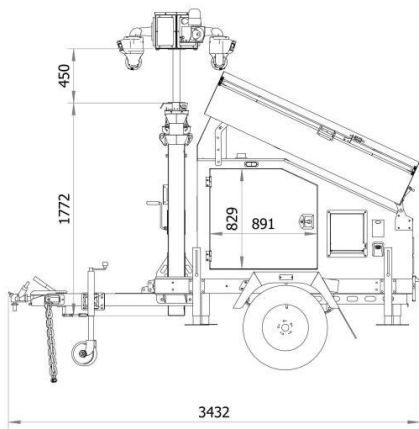
Trailer

Trailer Standard..... US / AU / EU
 Tow Hitch..... 50mm / 2" Ball Type
 Jockey Wheel..... 200mm / 8"
 Axle..... Single, Suspension, Electric Brake
 Tire..... 14 inch
 Outrigger..... 4 × Manual, Galvanized
 Bubble level..... 4 pcs
 Wheel Chock..... 2 pcs
 Forklift Pocket..... Yes
 Lifting Ring..... 4 pcs

- 1.CCTV box
- 2.Telescopic mast
- 3.Manual winch
- 4.Jockey Wheel
- 5.Outrigger
- 6.Side hatch door
- 7.Solar panel



2. Dimensions



3. CCTV system (Optional)

Camera

Hikvision DS-2SE4C425MWG-E/26(F0) 4 MP 25 × IR Network Speed Dome adopts 1/2.8" progressive scan CMOS chip. With the 25 × optical zoom lens, the camera offers more details over expansive areas. This series of cameras can be widely used for wide ranges of high-definition, such as rivers, roads, railways, airports, squares, parks, scenic spots, and venues, etc.



- Captures a large area and great details at the same time
- High quality panoramic imaging with 6 MP resolution and details imaging with 4 MP
- Excellent low-light performance with powered-by-DarkFighter technology and ColorVu technology
- Secures an expansive area with 25× optical zoom and 16×digital zoom
- Expansive night view with up to 100 m IR distance & 30 m white light
- Supports 12V DC & PoE+Focuses on human and vehicle targets classification based on deep learning

NVR (DS-7604NXI-K1)

- Up to 4-ch IP camera inputs
- H.265+/H.265/H.264+/H.264 video formats
- Up to 1-ch@12 MP or 2-ch@8 MP or 4-ch@4 MP or 8-ch@1080p decoding capacity
- Up to 40 Mbps incoming bandwidth
- Adopt Hikvision Acusense technology to minimize manual effort and security costs



Speaker(T-720AP)

Model	T-720AP
Rated Power	30W
Power Input	DC 12V
IP Rate	IP55
Dimensions	282 x 210 x 290mm
Weight	2.1Kg

