

Solar CCTV Tower

UST-900S



SPECIFICATIONS

1. Specifications

Base

Brand	UNIV
Name	Solar Light Tower
Model	UST-900S
Material	Steel Q235
Powder	Outdoor + Anti-Corrosion
Dimension (Transportation)	2220 × 1630 × 2420mm
Dimension (Traveling)	3440 × 1630 × 2730mm
Dimension (Operation)	3440 × 3620 × 7250mm
Weight	1250kg / 2755lb
System Voltage	DC24V
Work Temperature	-20°C~60°C / -4°F~140°F
Warranty	2 years

CCTV system

Power Supply	DC12V,24V,48V
PoE Switch	Yes
Strobe lights	4 pcs
450W Inverter	Optional
CCTV Camera	Optional in Page 3

Solar panels

Solar Panel	3 × 440W
Open Circuit Voltage	DC39.53V
Efficiency	22.5%
Series & Parallel	3 in parallel
Angle adjustment	30°-45°,Manual

Control system

Solar Controller	60A MPPT
Efficiency	95%+
Protection	Yes
Remote	Optional

LEF Battery

Battery	1 × 460Ah
Voltage	DC25.6V
Power Capacity	11.77kW·h
BMS	Yes
Heater	Yes
Life	4000 cycles at 95% DOD ,25°C

Charger system

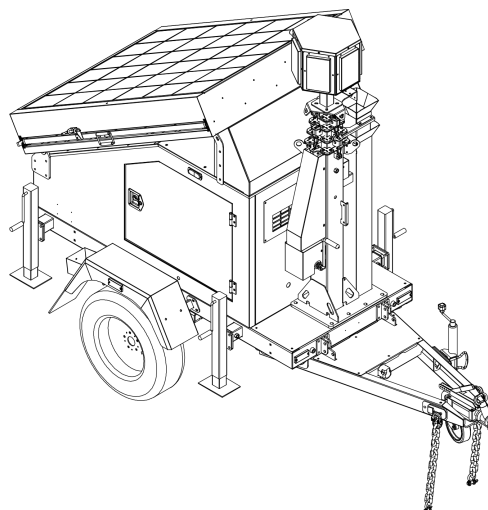
Battery Charger	1.5kW
Charging Current	45A
Efficiency	89%
Socket	1 × 16A,AC120V

Telescopic Mast

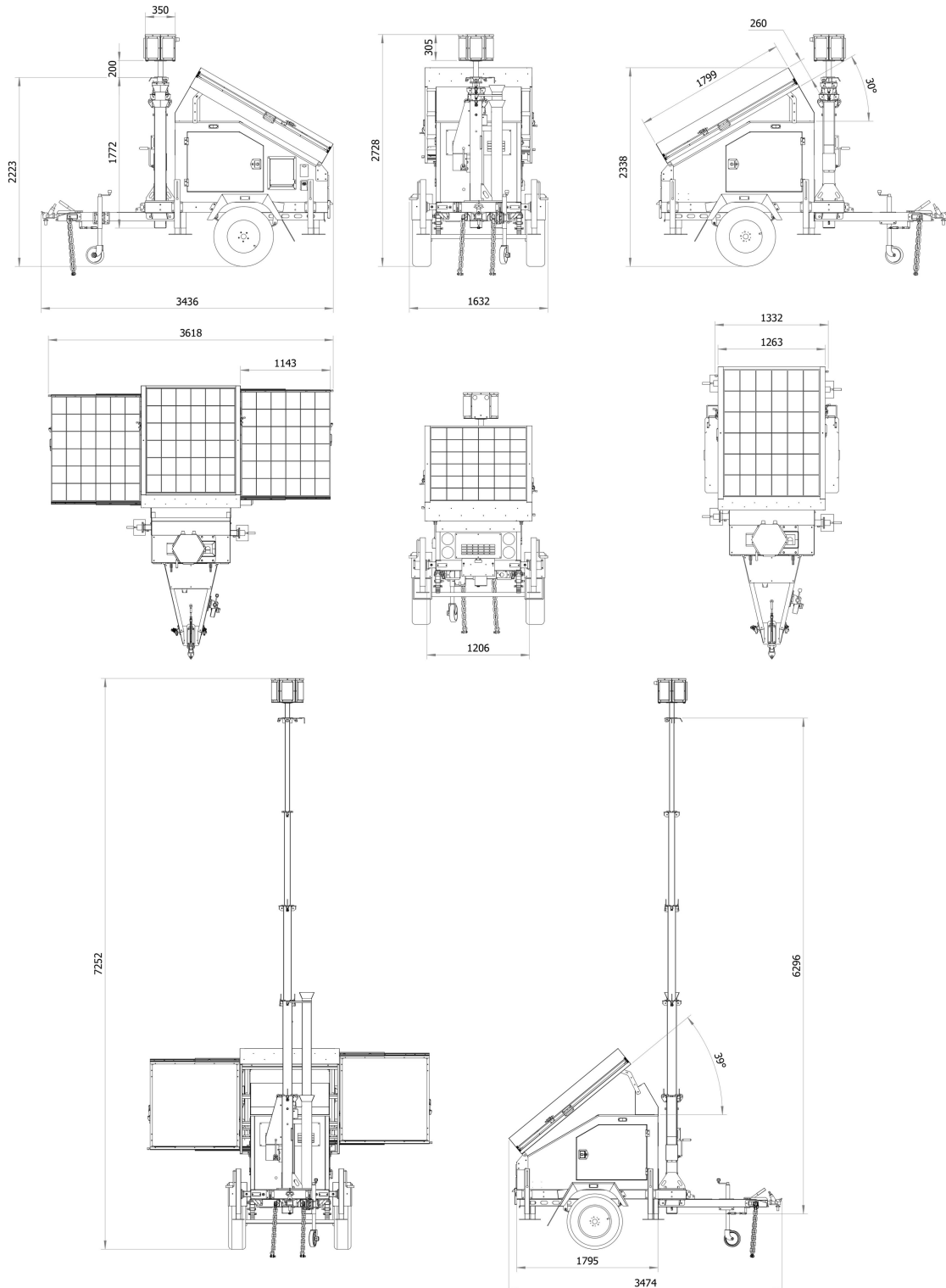
Material	Steel Q235,Galvanized
Type	Square,Telescopic
Height	6.3m / 20.7ft
Section	5
Wire Rope	Stainless Steel 304,5mm
Spiral Cable	2 × Cat5e + 14 × Power Supply
Lifting Method	Manual Winch
Recommended Loading	5kg ~ 50kg / 11lb ~ 110lb
Windproof	117km/h / 73mph

Trailer

Trailer Standard	US / AU / EU
Trailer Light	US / AU / EU
Tow Hitch	50mm / 2" Ball Type
Jockey Wheel	200mm / 8"
Axle	Single,Suspension,Electric Brake
Tire	15 inch
Outrigger	4 × Manual,Galvanized
Bubble level	4 pcs
Wheel Chock	2 pcs
Forklift Pocket	Yes
Lifting Ring	4 pcs



2. Diemensions





3.CCTV system (Optional)

Camera

Hikvision DS-2SE4C425MWG-E/26(F0) 4 MP 25 × IR Network Speed Dome adopts 1/2.8" progressive scan CMOS chip. With the 25 × optical zoom lens, the camera offers more details over expansive areas. This series of cameras can be widely used for wide ranges of high-definition, such as rivers, roads, railways, airports, squares, parks, scenic spots, and venues, etc.

- Captures a large area and great details at the same time
- High quality panoramic imaging with 6 MP resolution and details imaging with 4 MP
- Excellent low-light performance with powered-by-DarkFighter technology and ColorVu technology
- Secures an expansive area with 25× optical zoom and 16×digital zoom
- Expansive night view with up to 100 m IR distance & 30 m white light
- Supports 12V DC & PoE+Focuses on human and vehicle targets classification based on deep learning



NVR (DS-7604NXI-K1)

- Up to 4-ch IP camera inputs
- H.265+/H.265/H.264+/H.264 video formats
- Up to 1-ch@12 MP or 2-ch@8 MP or 4-ch@4 MP or 8-ch@1080p decoding capacity
- Up to 40 Mbps incoming bandwidth
- Adopt Hikvision Acusense technology to minimize manual effort and security costs



4G Router(USR-G806)

- One RJ45 for WAN/LAN port. 1 RJ45 for LAN port only. Support 1 WLAN
- Support Web Server
- Support multiple LED communication indicators
- Support Reload button to restore default settings by hardware way
- The wired net ports support 10/100Mbps rate
- Support VPN Client (PPTP/L2TP/IPSEC/GRE/OPENVPN/SSTP) and supports VPN encryption and static



Spearker(T-720AP)

Model	T-720AP
Rated Power	30W
Power Input	DC 12V
IP Rate	IP55
Dimensions	282 x 210 x 290mm
Weight	2.1Kg



Display

Model	G0816
Resolution	1024*768
Aspect ratio	16:9
Refresh rate	60-70Hz
Dimensions	218.6 x 148 x 36mm
Weight	2.1Kg
Operating temperature	-10-60℃

